

CHAPTER 1. PRODUCT SPECIFICATION

[1] SPECIFICATION

1. AY-AP7FHR—AE-A7FHR

ITEMS		INDOOR UNIT		OUTDOOR UNIT	
		AY-AP7FHR		AE-A7FHR	
Cooling capacity ☆	kW	2.05			
Heat pump Heating capacity	kW	2.4			
Moisture removal ☆	Liters/h	0.7			
Electrical data					
Phase		Single			
Rated frequency	Hz	50			
Rated voltage range	V	198 to 264			
Rated voltage	V	220 - 240			
Rated current ☆	Cool	A	3.0 - 2.8		
	Heat	A	3.1 - 2.9		
Rated input ☆	Cool	W	635 - 635		
	Heat	W	660 - 660		
Power factor ☆	Cool	%	96 - 94		
	Heat	%	97 - 95		
Compressor	Type	Hermetically sealed rotary type			
	Model	5RS084DAA01			
	Oil charge	300cc (RB68A or Freolalpha68M)			
Refrigerant system	Evaporator	Louver fin and Grooved tube type			
	Condenser	Corrugate fin and Grooved tube type			
	Control	Capillary tube			
	Refrigerant volume	670g			
De-Ice system		Micro computercontrolled reverse system			
Noise level	High	dB(A)	37	44	
	Low	dB(A)	33	-	
	Soft	dB(A)	28	-	
Fan system					
Drive		Direct drive			
Air flow quantity	High	m ³ /min.	7.3	28	
	Low	m ³ /min.	6.6	-	
	Soft	m ³ /min.	3.5	-	
Fan		Cross flow fan	Propeller fan		
Connections					
Refrigerant coupling		Flare type			
Refrigerant tube size Gas, Liquid		3/8", 1/4"			
Drain piping	mm	O.D φ18			
Others					
Safety device		Compressor : Overload protector			
		Fan motor : Thermal Protector			
		Fuse, Micro computer control			
Air filters		Polypropylene net (Washable)			
Net dimensions	Width	mm	810	730	
	Height	mm	270	540	
	Depth	mm	184	250	
Net weight	kg	9		28	

NOTE: The conditions of star(☆) marked items sre 'ISO151' : 1994(E), condition T1.

2. AY-AP9FHR—AE-A9FHR

ITEMS		INDOOR UNIT	OUTDOOR UNIT
		AY-AP9FHR	AE-A9FHR
Cooling capacity ☆	kW	2.64	
Heat pump Heating capacity	kW	3.1	
Moisture removal ☆	Liters/h	0.8	

Electrical data

Phase		Single		
Rated frequency	Hz	50		
Rated voltage range	V	198 to 264		
Rated voltage	V	220 - 240		
Rated current ☆	Cool	A	3.8 - 3.5	
	Heat	A	4.0 - 3.6	
Rated input ☆	Cool	W	820 - 820	
	Heat	W	855 - 855	
Power factor ☆	Cool	%	98 - 98	
	Heat	%	97 - 99	
Compressor	Type	Hermetically sealed rotary type		
	Model	44A233AJ-FEKD		
	Oil charge	320cc (NMOCZe-Gles RB68EP)		
Refrigerant system	Evaporator	Louver fin and Grooved tube type		
	Condenser	Corrugate fin and Grooved tube type		
	Control	Capillary tube		
	Refrigerant volume	880g		
De-Ice system		Micro computercontrolled reverse system		
Noise level	High	dB(A)	38	45
	Low	dB(A)	34	—
	Soft	dB(A)	28	—

Fan system

Drive		Direct drive		
Air flow quantity	High	m ³ /min.	7.8	28
	Low	m ³ /min.	7.1	—
	Soft	m ³ /min.	3.5	—
Fan		Cross flow fan	Propeller fan	

Connections

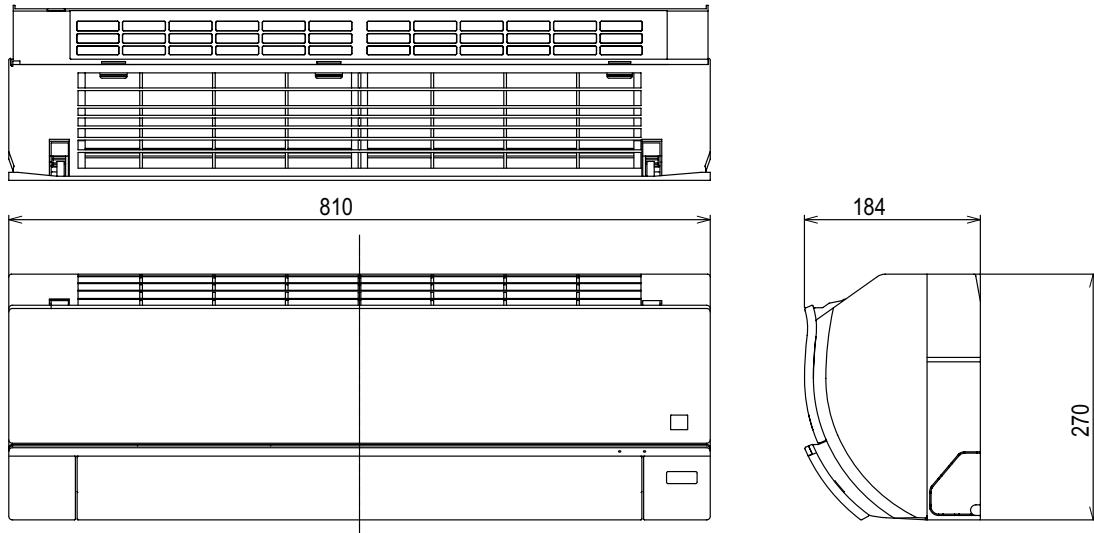
Refrigerant coupling		Flare type	
Refrigerant tube size Gas, Liquid		3/8", 1/4"	
Drain piping	mm	O.D φ18	

Others

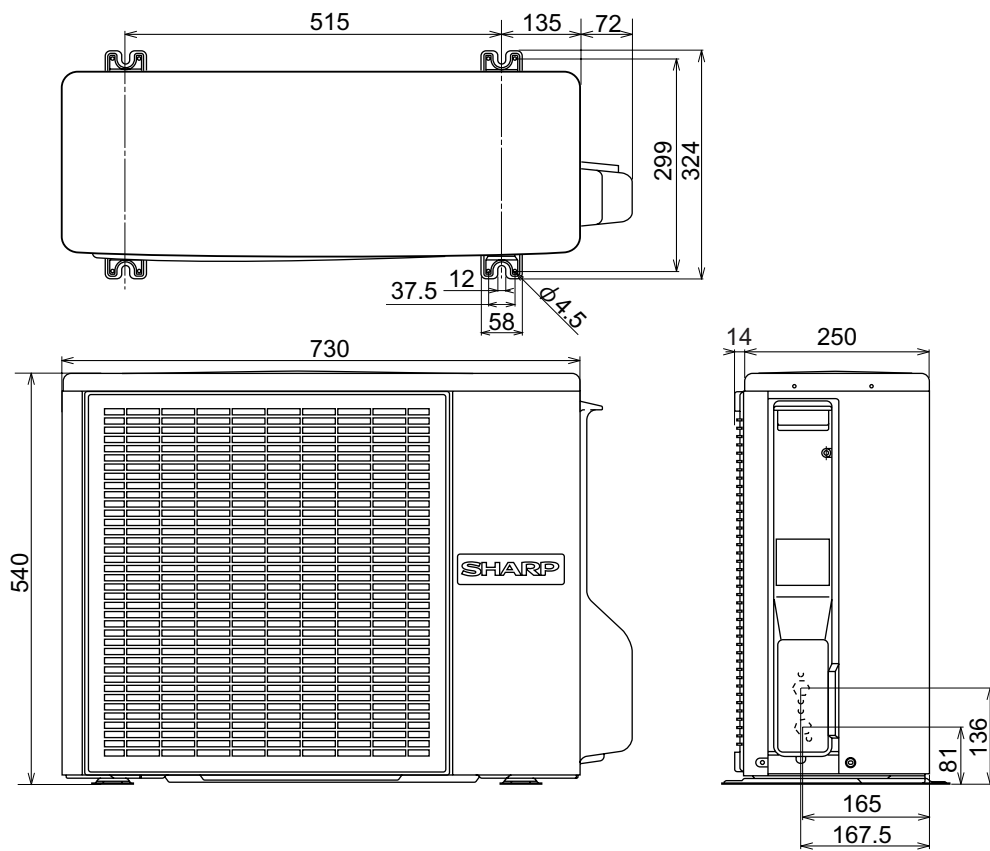
Safety device		Compressor : Overload protector		
		Fan motor : Thermal Protector		
		Fuse, Micro computer control		
Air filters		Polypropylene net (Washable)		
Net dimensions	Width	mm	810	730
	Height	mm	270	540
	Depth	mm	184	250
Net weight		kg	9	32

NOTE: The conditions of star(☆) marked items sre 'ISO151' : 1994(E), condition T1.

1. Indoor unit

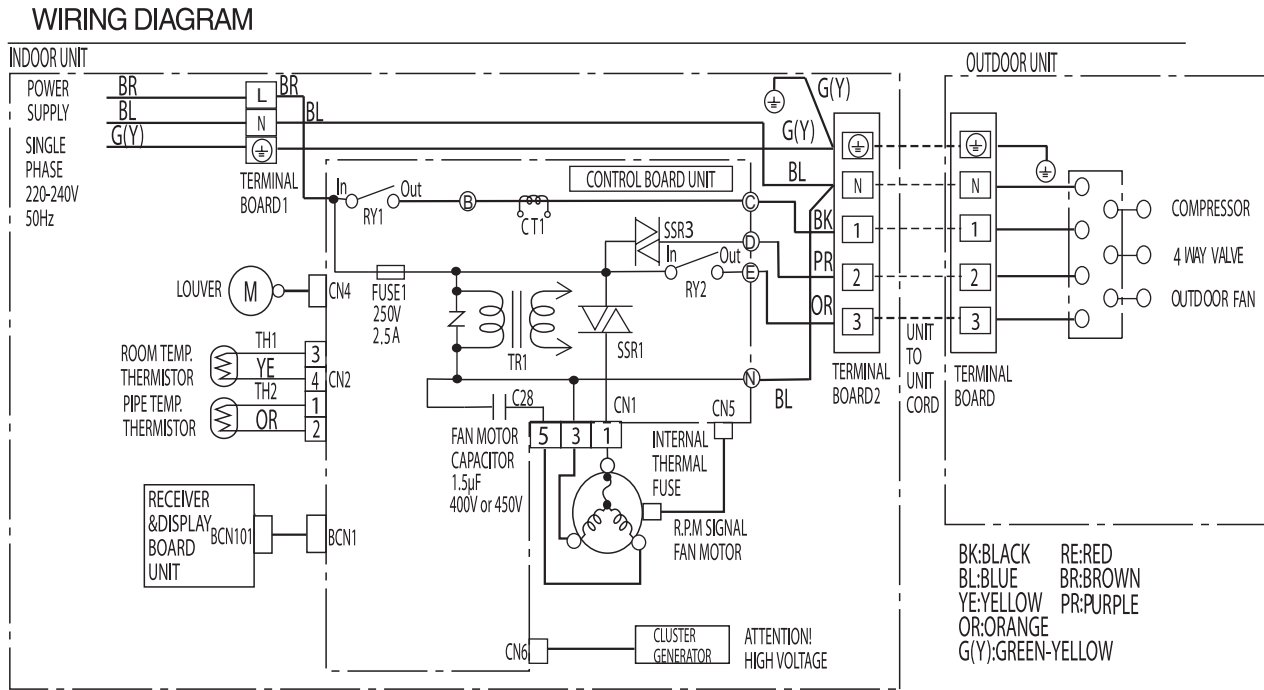


2. Outdoor unit



[3] WIRING DIAGRAM

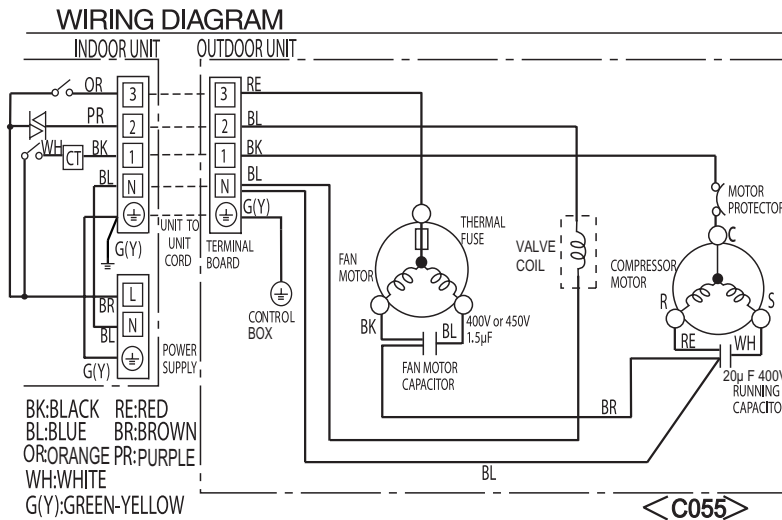
1. Indoor unit



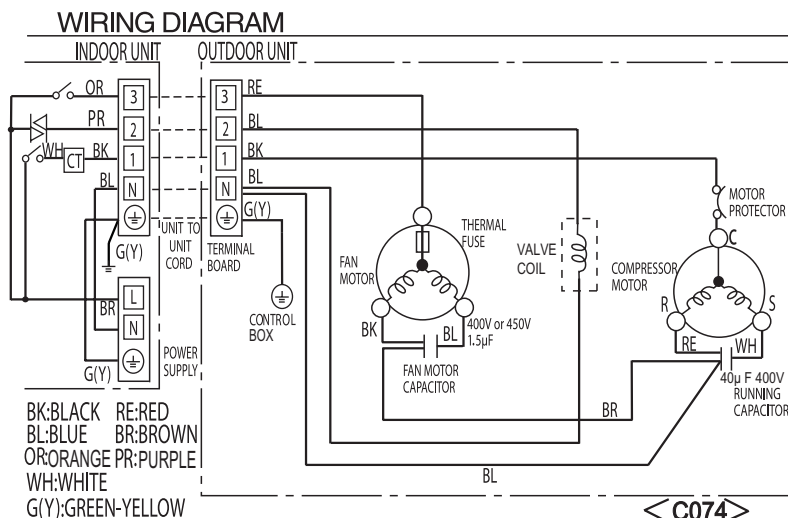
< C053 >

2. Outdoor unit

2.1. AE-A7FHR



< C055 >



[4] ELECTRICAL PARTS

1. AY-AP7FHR, AE-A7FHR

DESCRIPTION	MODEL	REMARKS	SITE
Compressor	5RS084DAA01	220 - 240V, 50Hz, 600W	OUTDOOR
Indoor fan motor	SFS-230-22-4A	220 - 240V, 50Hz	INDOOR
Outdoor fan motor	YDK21-6S-2	220 - 240V, 50Hz	OUTDOOR
Indoor fan motor capacitor	—	400V, 1.5μF	INDOOR
Outdoor fan motor capacitor	—	400V, 1.5μF	OUTDOOR
Running capacitor	—	400V, 20μF	OUTDOOR
Transformer	—	Primary ; AC 220V, 50Hz	INDOOR
	—	Secondary ; AC17.0V, 50Hz	
Fuse	—	250V, 2.5A	INDOOR
Reverse valve	SHF-4H-23U	—	OUTDOOR
Reverse valve coil	—	220 - 240V, 50/60Hz	OUTDOOR

2. AY-AP9FHR, AE-A9FHR

DESCRIPTION	MODEL	REMARKS	SITE
Compressor	44A233A	220 - 240V, 50Hz, 930W	OUTDOOR
Indoor fan motor	SFS-230-22-4A	220 - 240V, 50Hz	INDOOR
Outdoor fan motor	YDK21-6S-2	220 - 240V, 50Hz	OUTDOOR
Indoor fan motor capacitor	—	400V, 1.5μF	INDOOR
Outdoor fan motor capacitor	—	400V, 1.5μF	OUTDOOR
Running capacitor	—	400V, 40μF	OUTDOOR
Transformer	—	Primary ; AC 220V, 50Hz	INDOOR
	—	Secondary ; AC17.0V, 50Hz	
Fuse	—	250V, 2.5A	INDOOR
Reverse valve	SHF-4H-23U	—	OUTDOOR
Reverse valve coil	—	220 - 240V, 50/60Hz	OUTDOOR