

# REPLACEMENT PARTS LIST

**XXXXXXXXXX**

**MODEL AYAP12FH**

## CONTENTS

- |                                |                                 |
|--------------------------------|---------------------------------|
| [1] INDOOR UNIT PARTS          | [4] OUTDOOR UNIT PARTS          |
| [2] PACKING PARTS(INDOOR UNIT) | [5] PACKING PARTS(OUTDOOR UNIT) |
| [3] OTHER PARTS(INDOOR UNIT)   | ■ INDEX                         |

### “HOW TO ORDER REPLACEMENT PARTS”

To have your order filled promptly and correctly, please furnish the following information.

- |                 |                |
|-----------------|----------------|
| 1. MODEL NUMBER | 2. REF. No.    |
| 3. PART NO.     | 4. DESCRIPTION |

★ MARK: SPARE PARTS-DELIVERY SECTION

#### For U.S.A. only

Contact your nearest SHARP Parts Distributor to order.

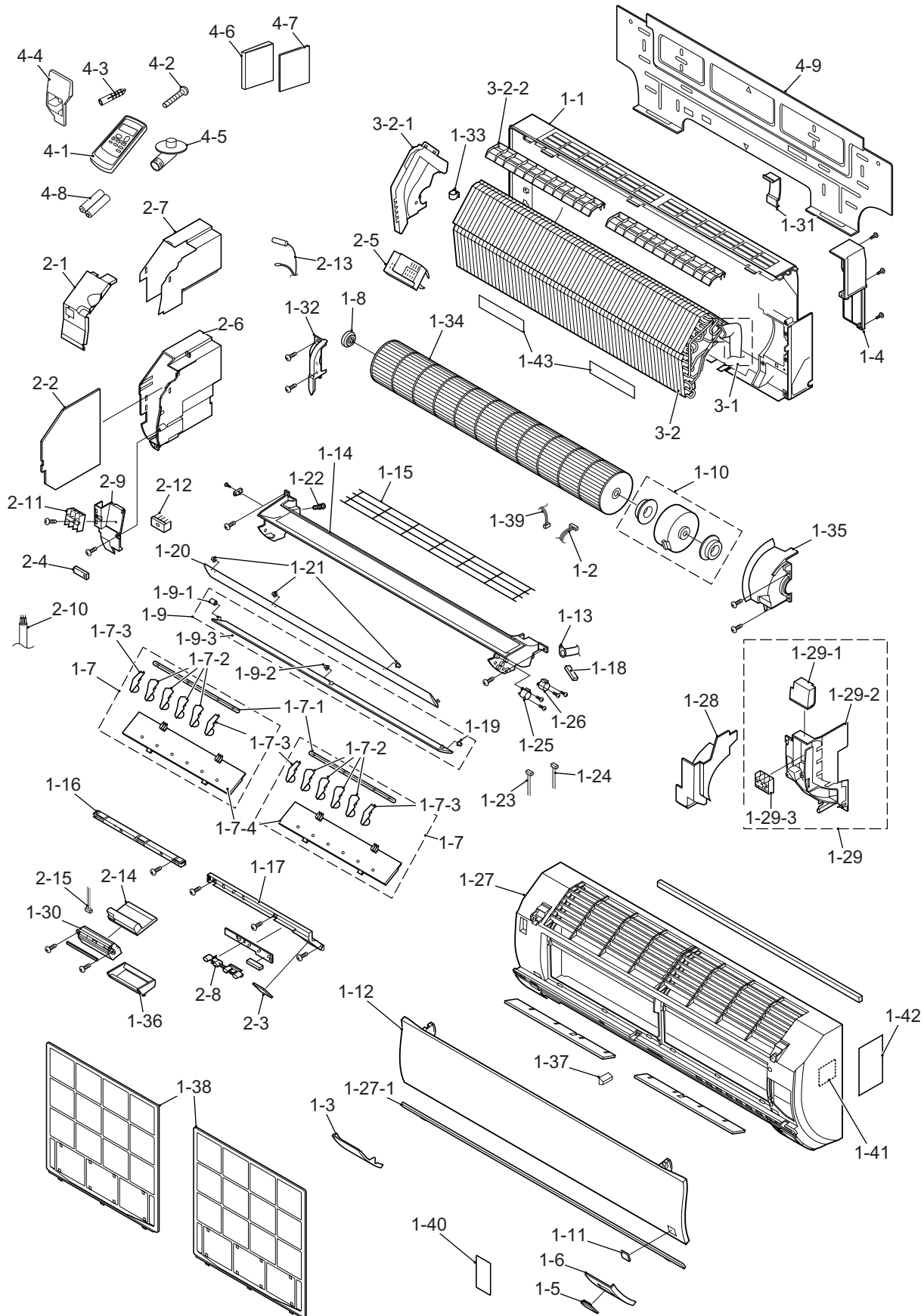
For location of SHARP Parts Distributor,  
Please call Toll-Free;  
1-800-BE-SHARP

Parts marked with "▲" are important for maintaining the safety of the set. Be sure to replace these parts with specified ones for

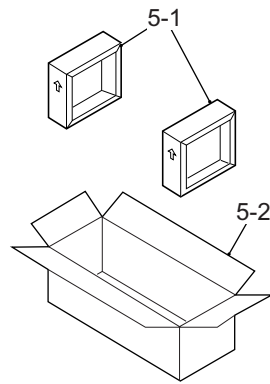
**SHARP CORPORATION**

This document has been published to be used for after sales service only.  
The contents are subject to change without notice.

[1] INDOOR UNIT PARTS

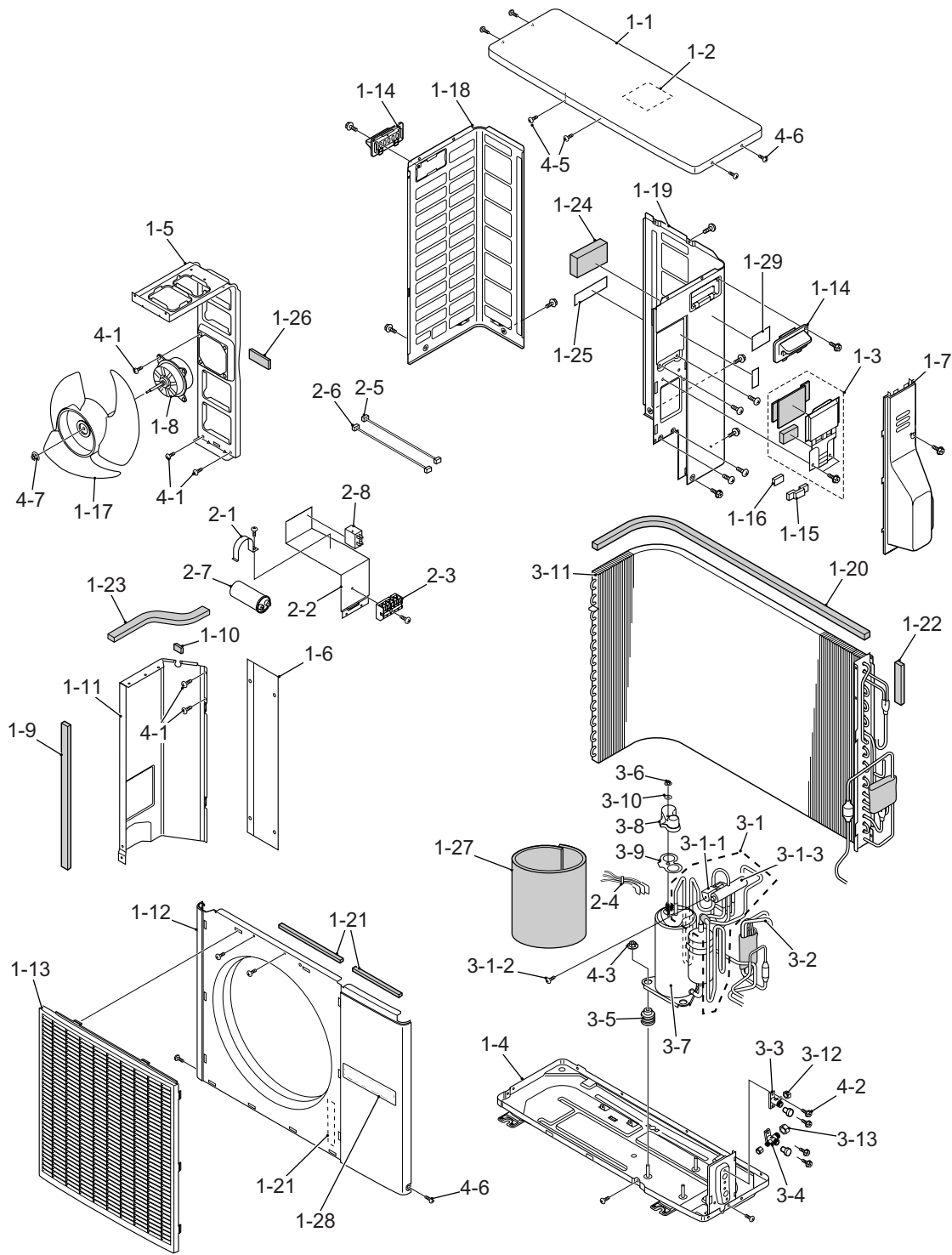


NO.	PARTS CODE	PRICE RANK	NEW MARK	PART RANK	DESCRIPTION
<b>[1] INDOOR UNIT PARTS</b>					
1-1	DCHS-A537JBKZ	BC			Cabinet ass'y
1-2	QW-VZF035JBZZ	AM			Lead wire
1-3	PCOV-B062JBFA	AH			Cover
1-4	CCOV-A113JBKZ	BE			Cabinet cover ass'y
1-5	FCOV-A257JBFA	AN			Cover
1-6	PCOV-B063JBFA	AG			Cover
1-7	CDAI-A020JBKZ	BE			Louver base ass'y
1-7-1	MJNTPA115JBFA	AH			Louver link
1-7-2	MLOV-A393JBFA	AH			Vertical louver
1-7-3	MLOV-A414JBFA	AH			Vertical louver
1-7-4	PDAI-A161JBFA	AH			Louver base
1-8	CHLD-A112JBKZ	AZ			Bearing ass'y
1-9	CLOV-A055JBKZ	AU			Louver ass'y
1-9-1	LHLD-A722JBFA	AM			Louver holder
1-9-2	LHLD-A723JBFA	AM			Louver holder
1-9-3	MLOV-A394JBFA	AH			H-louver
1-10	CMOT-A448JBKZ	BN			Fan motor sub ass'y
1-11	HBDG-A002KKEA	AE			AI badge
1-12	HPNL-A712JBRA	BC			Open panel
1-13	CHOS-A018JBKZ	AN			Drain hose ass'y
1-14	DSRA-A275JBKZ	BE			Drain pan sub ass'y
1-15	GGAD-A063JBTA	AQ			Wire guard
1-16	LHLD-A712JBFZ	AU			Lead wire guide
1-17	LHLD-A713JBFA	AG			Led holder
1-18	LPFT-A155JBFZ	AG			Drain joint
1-19	MJNT-A019JBFA	AM			Joint
1-20	MLOV-A395JBFA	AU			Air flow louver
1-21	NBRG-A038JBFA	AC			Bearing c
1-22	PGUMMA110JBE0	AD			Drain plug
1-23	QW-VZE894JBZZ	AL			Lead wire
1-24	QW-VZE895JBZZ	AL			Lead wire
1-25	RMOT-A116JBZZ	AP			Louver motor
1-26	RMOT-A117JBZZ	AP			Louver motor
1-27	GWAK-A328JBFA	AZ			Front panel
1-27-1	HDECQA136JBRA	AZ			Display panel
1-28	DCOV-A261JBKZ	AH			Cover ass'y
1-29	DDAI-A049JBKZ	AS			Holder ass'y
1-29-1	PCOV-B168JBWZ	AL			Cover
1-29-2	PDAI-A183JBFA	AN			Holder
1-29-3	QTANZA027JBZZ	AQ			Terminal board
1-30	LHLD-A714JBFA	AU			Holder
1-31	LHLD-A303JBFA	AD			Tube cover
1-32	LHLD-A711JBFZ	AU			Bering holder
1-33	MSPR-A169JBEZ	AF			Spring
1-34	NFANCA103JBKZ	AZ			Cross flow fan
1-35	PCOV-B065JBFZ	AH			Motor cover
1-36	PCOV-B157JBFA	AF			Cover
1-37	PCOV-B163JBFA	AF			Cover
1-38	PFILMA209JBEZ	AQ			Air filter
1-39	QW-VZF050JBZZ	AM			Lead wire
1-40	TLAB-C802JBEZ	AK			Eu energy label
1-41	TLABCC082JBRZ	AE			Wiring diagram
1-42	TSPC-F069JBRZ	AK			Name badge
1-43	PFPPC692JBEZ	AE			Cabi seal
2-1	CPNL-A526JBKZ	BD			Cont.box cover ass'y
2-2	DPWBFA424JBKZ	BP			Control board unit
2-3	FCOV-A192JBFZ	BE			Senser cover
2-4	LHLD-A354JBFA	AD			Cord holder
2-5	LHLD-A715JBFZ	AU			Thermistor holder
2-6	PBOX-A458JBFA	AP			Control box
2-7	PCOV-B071JBPZ	AN			Cont.box cover
2-8	PCOV-B113JBFZ	AM			Led guide
2-9	PDAI-A179JBFZ	AH			Terminal base
2-10	QACC-A305JBZZ	AN			Power supply cord
2-11	QTANZA022JBZZ	AH			Terminal board
2-12	QTANZA026JBZZ	AK			Terminal board
2-13	RH-HXA048JBZZ	AP			Themistor k
2-14	CKITTA073AKKZ	BE			Plasmacluster unit
2-15	QW-VZF051JBZZ	AM			Lead wire
3-1	CPIPCA947JBKZ	BE			Tube ass'y
3-2-1	PCOV-B067JBFZ	AQ			Side cover
3-2-2	PGID-A127JBFZ	AG			Guide
3-2	DEVA-A283JBKZ	BZ			Evaporator ass'y
4-1	CRMC-A665JBEZ	AZ			Remote control
4-2	LX-BZA357JBEZ	AE			Special screw
4-3	LX-NZA207JBEZ	AE			Special nut
4-4	LHLD-A731JBFA	AU			Cord holder
4-5	LPFT-A029JBF0	AD			Drain joint
4-6	TINS-A889JBRZ	AX			Installation manual
4-7	TINSEA406JBRZ	AX			Operation manual
4-8	UBATUA027JBE0	AE			Battery pack
4-9	PPLTNA083JBWZ	AT			Mounting angle

**[2] PACKING PARTS(INDOOR UNIT)**


NO.	PARTS CODE	PRICE RANK	NEW MARK	PART RANK	DESCRIPTION
<b>[2] PACKING PARTS(INDOOR UNIT)</b>					
5-1	CPADBA085JBKZ	AK			Packing pad ass'y
5-2	SPAKCB861JBEZ	AT			Packing case
<b>[3] OTHER PARTS(INDOOR UNIT)</b>					
2-2-1	QFS-GA053JBZZ	AE			Fuse 2.5A 250V (FUSE1)
2-2-2	RC-HZA520JBZZ	AM			Fan motor capacitor (C6)
2-2-3	RH-IXA839JBZZ	AU			IC (IC1)
2-2-4	RH-VXA002JBZZ	AF			Varistor (NR1 · 2)
2-2-5	RRLYDA008JBZZ	AH			Relay (RY2 · 3)
2-2-6	RRLYDA010JBZZ	AN			Relay (RY1)
2-2-7	VHLGP1UA261-1	AF			Photo detector unit (IC201)
3-1-1	PVLV-0406JBE0	AK			Flare union
3-1-2	PVLV-0341JBE0	AG			Flare union
3-1-3	PSEN-A053JBKZ	AN			Flare nut ass'y
3-3	PSEN-A044JBKZ	AG			Flare nut ass'y

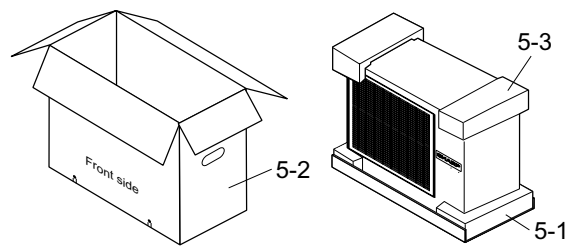
# [4] OUTDOOR UNIT PARTS



NO.	PARTS CODE	PRICE RANK	NEW MARK	PART RANK	DESCRIPTION
<b>[4] OUTDOOR UNIT PARTS</b>					
1-1	GCAB-A210JBTA	AS			Top table
1-2	TLABCC084JBRZ	AE			Wiring diagram
1-3	CCOV-A130JBKZ	AM			Cover ass'y
1-4	CCHS-A930JBTA	AX			Base pan ass'y
1-5	LANGKA124JBPZ	AR			Fan motor angle
1-6	PSKR-A300JBWZ	AS			Bulkhead sub
1-7	CFTA-A337JBKZ	BC			Side cover ass'y
1-8	CMOTLB182JBEZ	BN			Fan motor
1-9	PSEL-C834JBEZ	AK			Seal
1-10	PSEL-C895JBEZ	AF			Bulkhead seal c
1-11	PSKR-A298JBPZ	AY			Bulkhead
1-12	GCAB-A282JBTA	BC			Front panel
1-13	GGADPA004JBFA	AR			Fan guard

NO.	PARTS CODE	PRICE RANK	NEW MARK	PART RANK	DESCRIPTION
<b>[4] OUTDOOR UNIT PARTS</b>					
1-14	JHNDPA011JBFA	AS			Holder
1-15	LHLD-A573JBFA	AC			Cord clamp
1-16	LPLTPA026JBFA	AC			Cord clamp plate
1-17	NFANPA101JBEZ	AR			Propeller fan
1-18	PPLT-A385JBTA	AU			Side cover l
1-19	PPLT-A392JBTA	AV			Side cover r
1-20	PSEL-C837JBEZ	AE			Condenser seal
1-21	PSEL-C838JBEZ	AC			F-panel seal
1-22	PSEL-C839JBEZ	AC			Insulator
1-23	PSEL-C867JBEZ	AF			Seal
1-24	PSEL-C870JBEZ	AD			Seal
1-25	PSEL-C871JBEZ	AD			Seal
1-26	PSEL-C930JBEZ	AC			Motor ang.insulator
1-27	PSPF-A948JBEZ	AZ			Compressor cover
1-28	TLABBA149JBRZ	AG			Sharp badge
1-29	TSPC-F072JBRZ	AK			Name badge
2-1	LBNDKA062JBW0	AD			Capacitor clamp
2-2	PBOX-A447JBPZ	AR			Control box
2-3	QTANZA027JBZZ	AQ			Terminal board
2-4	QW-IZA084JBZZ	AQ			Comp wiring
2-5	QW-VZE889JBZZ	AF			Lead wire
2-6	QW-VZE890JBZZ	AF			Lead wire
2-7	RC-HZA504JBZZ	AW			Running capacitor
2-8	RC-HZA518JBZZ	AX			Fan motor capacitor
3-1	CVLV-A770JBKZ	BG			Reverse valve ass'y
3-1-1	CCIL-A122JBEZ	AU			Coil
3-1-2	LX-BZA268JBEZ	AB			Special screw
3-1-3	PVLVXA061JBEZ	BD			Reverse valve
3-2	DCPY-A346JBKZ	AQ			Capillary tube ass'y
3-3	DVLV-A693JBKZ	BE			2way valve unit
3-4	DVLV-A694JBKZ	BA			3way valve unit
3-5	GLEG-A085JBE0	AK			Compressor cushion
3-6	LX-NZA152JBE0	AD			Special nut
3-7	PCMPRA484JBEZ	CM			Compressor
3-8	PCOV-A378JBE0	AH			Terminal cover
3-9	PSEL-B172JBE0	AD			Terminal gasket
3-10	PSEL-B722JBE0	AE			Rubber washer
3-11	PCON-A551JBPZ	BS			Condenser
3-12	PSEN-A044JBKZ	AG			Flare nut ass'y
3-13	PSEN-A053JBKZ	AN			Flare nut ass'y
4-1	LX-BZA351JBEZ	AD			Special screw
4-2	LX-BZA355JBEZ	AE			Special screw
4-3	LX-NZA313JBEZ	AE			Special nut
4-5	LX-BZA353JBEZ	AD			Tapping screw
4-6	LX-BZA364JBEZ	AC			Special screw
4-7	LX-NZA326JBEZ	AA			Special nut

### [5] PACKING PARTS(OUTDOOR UNIT)



NO.	PARTS CODE	PRICE RANK	NEW MARK	PART RANK	DESCRIPTION
<b>[5] PACKING PARTS(OUTDOOR UNIT)</b>					
5-1	CPADBA774YDKZ	AN			Bottom pad ass'y
5-2	SPAKCB862JBEZ	AX			Packing case
5-3	CPADBA773YDKZ	AG			Top pad ass'y

**INDEX**

PARTS CODE	No.	PRICE RANK	NEW MARK	PART RANK
<b>[ C ]</b>				
CCHS-A930JBTA	4-1-4	AX		
CCIL-A122JBEZ	4-3-1-1	AU		
CCOV-A113JBKZ	1-1-4	BE		
CCOV-A130JBKZ	4-1-3	AM		
CDAI-A020JBKZ	1-1-7	BE		
CFTA-A337JBKZ	4-1-7	BC		
CHLD-A112JBKZ	1-1-8	AZ		
CHOS-A018JBKZ	1-1-13	AN		
CKITTA073AKKZ	1-2-14	BE		
CLOV-A055JBKZ	1-1-9	AU		
CMOT-A448JBKZ	1-1-10	BN		
CMOTLB182JBEZ	4-1-8	BN		
CPADBA085JBKZ	2-5-1	AK		
CPADBA773YDKZ	5-5-3	AG		
CPADBA774YDKZ	5-5-1	AN		
CPIPCA947JBKZ	1-3-1	BE		
CPNL-A526JBKZ	1-2-1	BD		
CRMC-A665JBEZ	1-4-1	AZ		
CVLV-A770JBKZ	4-3-1	BG		
<b>[ D ]</b>				
DCHS-A537JBKZ	1-1-1	BC		
DCOV-A261JBKZ	1-1-28	AH		
DCPY-A346JBKZ	4-3-2	AQ		
DDAI-A049JBKZ	1-1-29	AS		
DEVA-A283JBKZ	1-3-2	BZ		
DPWBFA424JBKZ	1-2-2	BP		
DSRA-A275JBKZ	1-1-14	BE		
DVLV-A693JBKZ	4-3-3	BE		
DVLV-A694JBKZ	4-3-4	BA		
<b>[ F ]</b>				
FCOV-A192JBFZ	1-2-3	BE		
FCOV-A257JBFA	1-1-5	AN		
<b>[ G ]</b>				
GCAB-A210JBTA	4-1-1	AS		
GCAB-A282JBTA	4-1-12	BC		
GGAD-A063JBTA	1-1-15	AQ		
GGADPA004JBFA	4-1-13	AR		
GLEG-A085JBE0	4-3-5	AK		
GWAK-A328JBFA	1-1-27	AZ		
<b>[ H ]</b>				
HBDG-A002KKEA	1-1-11	AE		
HDECQA136JBRA	1-1-27-1	AZ		
HPNL-A712JBRA	1-1-12	BC		
<b>[ J ]</b>				
JHNDPA011JBFA	4-1-14	AS		
<b>[ L ]</b>				
LANGKA124JBPZ	4-1-5	AR		
LBNDKA062JBW0	4-2-1	AD		
LHLD-A303JBFA	1-1-31	AD		
LHLD-A354JBFA	1-2-4	AD		
LHLD-A573JBFA	4-1-15	AC		
LHLD-A711JBFZ	1-1-32	AU		
LHLD-A712JBFZ	1-1-16	AU		
LHLD-A713JBFA	1-1-17	AG		
LHLD-A714JBFA	1-1-30	AU		
LHLD-A715JBFZ	1-2-5	AU		
LHLD-A722JBFA	1-1-9-1	AM		
LHLD-A723JBFA	1-1-9-2	AM		
LHLD-A731JBFA	1-4-4	AU		
LPFT-A029JBF0	1-4-5	AD		
LPFT-A155JBFZ	1-1-18	AG		
LPLTPA026JBFA	4-1-16	AC		
LX-BZA268JBEZ	4-3-1-2	AB		
LX-BZA351JBEZ	4-4-1	AD		
LX-BZA353JBEZ	4-4-5	AD		
LX-BZA355JBEZ	4-4-2	AE		
LX-BZA357JBEZ	1-4-2	AE		
LX-BZA364JBEZ	4-4-6	AC		
LX-NZA152JBE0	4-3-6	AD		
LX-NZA207JBEZ	1-4-3	AE		
LX-NZA313JBEZ	4-4-3	AE		
LX-NZA326JBEZ	4-4-7	AA		
<b>[ M ]</b>				
MJNT-A019JBFA	1-1-19	AM		
MJNTPA115JBFA	1-1-7-1	AH		
MLOV-A393JBFA	1-1-7-2	AH		
MLOV-A394JBFA	1-1-9-3	AH		
MLOV-A395JBFA	1-1-20	AU		

PARTS CODE	No.	PRICE RANK	NEW MARK	PART RANK
MLOV-A414JBFA	1-1-7-3	AH		
MSPR-A169JBEZ	1-1-33	AF		
<b>[ N ]</b>				
NBRG-A038JBFA	1-1-21	AC		
NFANCA103JBKZ	1-1-34	AZ		
NFANPA101JBEZ	4-1-17	AR		
<b>[ P ]</b>				
PBOX-A447JBPZ	4-2-2	AR		
PBOX-A458JBFA	1-2-6	AP		
PCMPRA484JBEZ	4-3-7	CM		
PCON-A551JBPZ	4-3-11	BS		
PCOV-A378JBE0	4-3-8	AH		
PCOV-B062JBFA	1-1-3	AH		
PCOV-B063JBFA	1-1-6	AG		
PCOV-B065JBFZ	1-1-35	AH		
PCOV-B067JBFZ	1-3-2-1	AQ		
PCOV-B071JBPZ	1-2-7	AN		
PCOV-B113JBFZ	1-2-8	AM		
PCOV-B157JBFA	1-1-36	AF		
PCOV-B163JBFA	1-1-37	AF		
PCOV-B168JBWZ	1-1-29-1	AL		
PDAL-A161JBFA	1-1-7-4	AH		
PDAL-A179JBFZ	1-2-9	AH		
PDAL-A183JBFA	1-1-29-2	AN		
PFILMA209JBEZ	1-1-38	AQ		
PPFFPC692JBEZ	1-1-43	AE		
PGID-A127JBFZ	1-3-2-2	AG		
PGUMMA110JBE0	1-1-22	AD		
PPLT-A385JBTA	4-1-18	AU		
PPLT-A392JBTA	4-1-19	AV		
PPLTNA083JBWZ	1-4-9	AT		
PSEL-B172JBE0	4-3-9	AD		
PSEL-B722JBE0	4-3-10	AE		
PSEL-C834JBEZ	4-1-9	AK		
PSEL-C837JBEZ	4-1-20	AE		
PSEL-C838JBEZ	4-1-21	AC		
PSEL-C839JBEZ	4-1-22	AC		
PSEL-C867JBEZ	4-1-23	AF		
PSEL-C870JBEZ	4-1-24	AD		
PSEL-C871JBEZ	4-1-25	AD		
PSEL-C895JBEZ	4-1-10	AF		
PSEL-C930JBEZ	4-1-26	AC		
PSEN-A044JBKZ	3-3-3	AG		
"	4-3-12	AG		
PSEN-A053JBKZ	3-3-1-3	AN		
"	4-3-13	AN		
PSKR-A298JBPZ	4-1-11	AY		
PSKR-A300JBWZ	4-1-6	AS		
PSPF-A948JBEZ	4-1-27	AZ		
PVLV-0341JBE0	3-3-1-2	AG		
PVLV-0406JBE0	3-3-1-1	AK		
PVLVXA061JBEZ	4-3-1-3	BD		
<b>[ Q ]</b>				
QACC-A305JBZZ	1-2-10	AN		
QFS-GA053JBZZ	3-2-2-1	AE		
QTANZA022JBZZ	1-2-11	AH		
QTANZA026JBZZ	1-2-12	AK		
QTANZA027JBZZ	1-1-29-3	AQ		
"	4-2-3	AQ		
QW-IZA084JBZZ	4-2-4	AQ		
QW-VZE889JBZZ	4-2-5	AF		
QW-VZE890JBZZ	4-2-6	AF		
QW-VZE894JBZZ	1-1-23	AL		
QW-VZE895JBZZ	1-1-24	AL		
QW-VZF035JBZZ	1-1-2	AM		
QW-VZF050JBZZ	1-1-39	AM		
QW-VZF051JBZZ	1-2-15	AM		
<b>[ R ]</b>				
RC-HZA504JBZZ	4-2-7	AW		
RC-HZA518JBZZ	4-2-8	AX		
RC-HZA520JBZZ	3-2-2-2	AM		
RH-HXA048JBZZ	1-2-13	AP		
RH-IXA839JBZZ	3-2-2-3	AU		
RH-VXA002JBZZ	3-2-2-4	AF		
RMOT-A116JBZZ	1-1-25	AP		
RMOT-A117JBZZ	1-1-26	AP		
RRLYDA008JBZZ	3-2-2-5	AH		
RRLYDA010JBZZ	3-2-2-6	AN		
<b>[ S ]</b>				

PARTS CODE	No.	PRICE RANK	NEW MARK	PART RANK
SPAKCB861JBEZ	2-5-2	AT		
SPAKCB862JBEZ	5-5-2	AX		
[ T ]				
TINS-A889JBRZ	1-4-6	AX		
TINSEA406JBRZ	1-4-7	AX		
TLABBA149JBRZ	4-1-28	AG		
TLAB-C802JBEZ	1-1-40	AK		
TLABCC082JBRZ	1-1-41	AE		
TLABCC084JBRZ	4-1-2	AE		
TSPC-F069JBRZ	1-1-42	AK		
TSPC-F072JBRZ	4-1-29	AK		
[ U ]				
UBATUA027JBE0	1-4-8	AE		
[ V ]				
VHLGP1UA261-1	3-2-2-7	AF		