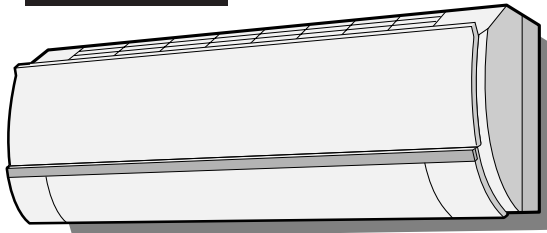


REPLACEMENT PARTS LIST

SPLIT SYSTEM ROOM AIR CONDITIONER

MODELS	INDOOR UNIT	OUTDOOR UNIT
	AY-AP7FHR	AE-A7FHR
	AY-AP9FHR	AE-A9FHR



CONTENTS

- | | |
|------------------------------|-------------------------------------|
| [1] INDOOR UNIT PARTS | [5] OUTDOOR UNIT PARTS |
| [2] ACCESSORY PARTS | [6] PARTPACKING PARTS(OUTDOOR UNIT) |
| [3] INDOOR PACKING PARTS | ■ INDEX |
| [4] OTHER PARTS(INDOOR UNIT) | |

“HOW TO ORDER REPLACEMENT PARTS”

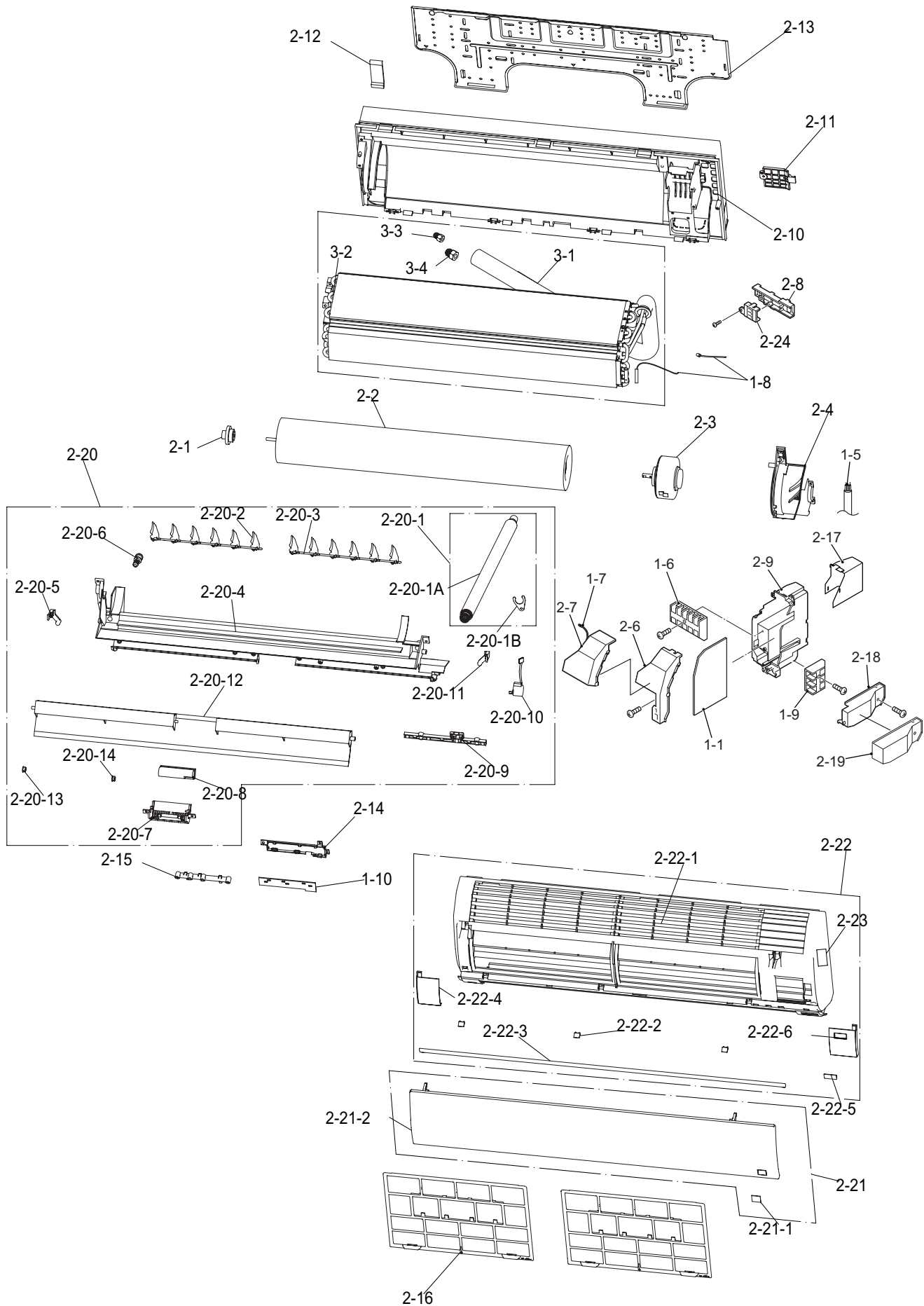
To have your order filled promptly and correctly, please furnish the following information.

- | | |
|-----------------|----------------|
| 1. MODEL NUMBER | 2. REF. No. |
| 3. PART NO. | 4. DESCRIPTION |

★ MARK: SPARE PARTS-DELIVERY SECTION

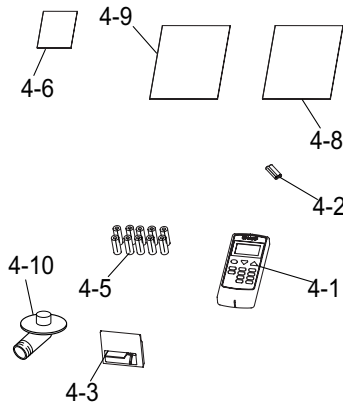
Parts marked with "▲" are important for maintaining the safety of the set. Be sure to replace these parts with specified ones for

[1] INDOOR UNIT PARTS



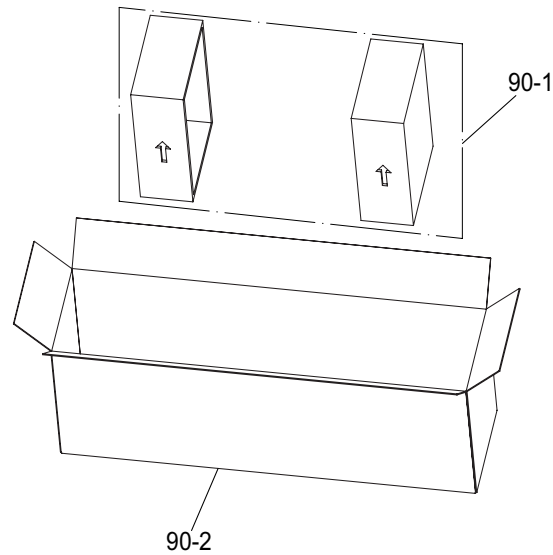
NO.	PARTS CODE	PRICE RANK	NEW MARK	PART RANK	DESCRIPTION
[1] INDOOR UNIT PARTS					
1-1	DPWBFA411JBKZ	BM			Control unit[AYAP7FHR]
1-1	DPWBFA396JBKZ	BM			Control unit[AYAP9FHR]
1-5	QACC-A305JBZZ	AN			Power supply cord
1-6	QTANZA027JBZZ	AQ			Terminal board
1-7	QW-VZE874JBZZ	AF			Earth lead
1-8	RTHM-A300JBE0	AN			Thermistor
1-9	QTANZA022JBZZ	AH			Terminal board
1-10	FPWBFA586JBKZ	AZ			Display c-b-u k
2-1	CHLD-A067JBK0	AL			Bearing ass'y
2-2	NFANCA099JBEZ	BC			Cross flow fan
2-3	CMOT-A443JBKZ	BE			Fan motor
2-4	PCOV-B072JBFZ	AN			Motor cover
2-6	PCOV-B073JBFA	AN			Control box cover
2-7	PCOV-B074JBPZ	AM			Control box cover
2-8	LHLD-A500JBFZ	AC			Thermistor holder
2-9	PBOX-A442JBFA	BH			Control box
2-10	DCHS-A530JBKZ	BG			Cabinet sub ass'y
2-11	LHLD-A478JBFZ	AF			Tube holder
2-12	LHLD-A303JBFA	AD			Tube cover
2-13	PPLTNA081JBPZ	AX			Mounting angle
2-14	LHLD-A716JBFA	AF			LED holder
2-15	PCOV-B076JBFZ	AF			LED guide
2-16	PFILMA204JBEZ	AM			Air filter
2-17	PCOV-B075JBPZ	AR			Control box cover
2-18	LHLD-A756JBFA	AF			Cord holder
2-19	PCOV-B144JBPZ	AK			Cord holder cover
2-20	CSRA-A624JBKZ	BX			Drain pan ass'y
2-20-1	CHOS-A018JBKZ	AN			Drain hose ass'y
2-20-1A	PHOS-A044JBEZ	AM			Drain hose
2-20-1B	LPLT-A058JBPZ	AC			Hose holder
2-20-2	MLOV-A299JBFA	AC			Vertical louver
2-20-3	MJNTPA082JBFA	AC			Louver link
2-20-4	DSRA-A265JBKZ	BL			Drain pan
2-20-5	LPFT-A152JBFZ	AF			Dorain joint L
2-20-6	PGUMMA110JBE0	AD			Drain plug
2-20-7	LHLD-A720JBFA	AK			PCI holder
2-20-8	CKITTA071AKKZ	BD			Plasmacluster unit
2-20-9	LHLD-A719JBFA	AF			Lead wire guide
2-20-10	RMOT-A115JBEZ	AS			Louver motor
2-20-11	LPFT-A151JBFZ	AF			Drain joint
2-20-12	MLOV-A396JBFA	AX			H-louver
2-20-13	NBRG-A026JBFA	AB			Louver bushing
2-20-14	LHLD-A197JBFM	AC			Louver holder
2-21	CPNL-A515JBKZ	BC			Open panel ass'y
2-21-1	HBDDG-A002KKEA	AE			Badge
2-21-2	HPNL-A721JBRA	AU			Open panel
2-22	DWAK-A915JBKZ	BB			Front panel ass'y
2-22-1	GWAK-A317JBFA	AZ			Front panel
2-22-2	PCOV-B077JBFA	AK			Screw cover
2-22-3	HDECQA125JBRB	AZ			Display panel
2-22-4	FCOV-A194JBFA	AK			Front cover L
2-22-5	FCOV-A193JBFA	AF			Cover
2-22-6	FCOV-A195JBFA	AK			Front cover R
2-23	TLABCC053JBRZ	AF			Wiring diagram
2-24	PCOV-A300JBF0	AB			Thermo holder cover
3-1	CPIPCA918JBKZ	AZ			Tube ass'y
3-2	CEVA-A115JBKZ	BU			Evaperator sub ass'y
3-3	PVLV-0341JBE0	AG			Flare union 2S
3-4	PVLV-0342JBE0	AH			Flare union 3S

[2] ACCESSORY PARTS



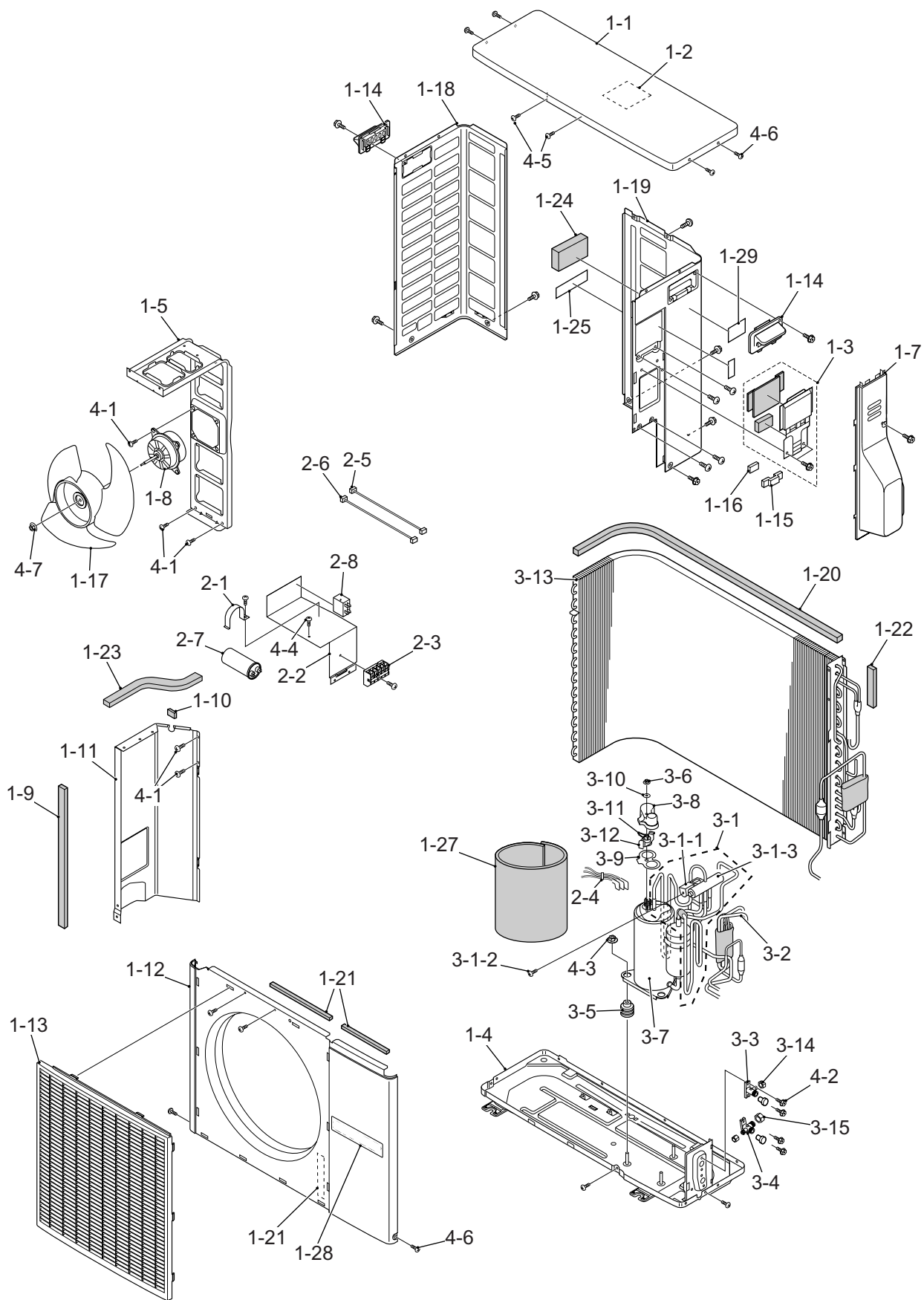
NO.	PARTS CODE	PRICE RANK	NEW MARK	PART RANK	DESCRIPTION
[2] ACCESSORY PARTS					
4-1	CRMC-A665JBEZ	AZ			Remote control
4-2	UBATUA027JBE0	AE			Battery pack
4-3	LHLD-A721JBFA	AK			Cord holder
4-5	LX-NZA207JBEZ	AE			Special nut
4-6	TLAB-C800JBEZ	AK			EU energy label[AYAP7FHR]
4-6	TLAB-C801JBEZ	AK			EU energy label[AYAP9FHR]
4-8	TINSEA406JBRZ	AX			Operation manual
4-9	TINS-A876JBRZ	AK			Installation manual
4-10	LHLD-A484JBFA	AE			Drain joint

[3] INDOOR PACKING PARTS



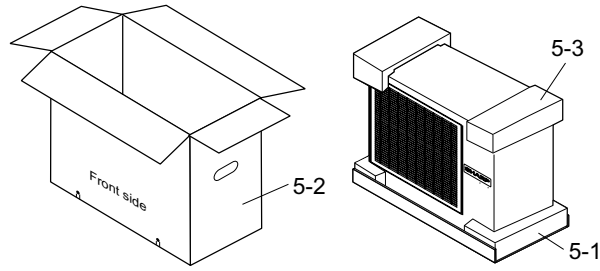
NO.	PARTS CODE	PRICE RANK	NEW MARK	PART RANK	DESCRIPTION
[3] INDOOR PACKING PARTS					
90-1	CPADBA086JBKZ	AM			Packing pad ass'y
90-2	SPAKCB832JBEZ	AT			Packing case[AYAP7FHR]
90-2	SPAKCB822JBEZ	AK			Packing case[AYAP9FHR]
[4] OTHER PARTS(INDOOR UNIT)					
1-2	QFS-1A001KKZZ	AD			Fuse
1-3	RH-IXA829JBZZ	AV			IC
1-4	RRMCUA003JBZZ	AM			Receiver unit

[5] OUTDOOR UNIT PARTS



NO.	PARTS CODE	PRICE RANK	NEW MARK	PART RANK	DESCRIPTION
[5] OUTDOOR UNIT PARTS					
1-1	GCAB-A210JBTA	AS			Top table
1-2	TLABCC055JBRZ	AF			Wiring diagram[AEA7FHR]
1-2	TLABCC074JBRZ	AF			Wiring diagram[AEA9FHR]
1-3	CCOV-A130JBKZ	AM			Cover ass'y
1-4	CCHS-A919JBYA	BK			Base pan ass'y
1-5	LANGKA124JBPZ	AR			Fan motor angle
1-7	CFTA-A337JBKZ	BC			Side cover ass'y
1-8	CMOTLB181JBEZ	BH			Fan motor
1-9	PSEL-C834JBEZ	AK			Seal
1-10	PSEL-C895JBEZ	AF			Bulkhead seal C
1-11	PSKR-A288JBPZ	AX			Bulkhead
1-12	GCAB-A282JBTA	BC			Front panel
1-13	GGADPA004JBFA	AR			Fan guard
1-14	JHNDPA011JBFA	AS			Holder
1-15	LHLD-A573JBFA	AC			Cord clamp
1-16	LPLTPA026JBFA	AC			Cord clamp plate
1-17	NFANPA101JBEZ	AR			Propeller fan
1-18	PPLT-A385JBTA	AU			Side cover L
1-19	PPLT-A421JBTZ	AX			Side cover R[AEA9FHR]
1-19	PPLT-A392JBTA	AV			Side cover R[AEA7FHR]
1-20	PSEL-C837JBEZ	AE			Condenser seal[AEA7FHR]
1-20	PSEL-C850JBEZ	AF			Condensor seal[AEA9FHR]
1-21	PSEL-C838JBEZ	AC			F-panel seal
1-22	PSEL-C839JBEZ	AC			Insulator
1-23	PSEL-C867JBEZ	AF			Seal[AEA7FHR]
1-23	PSEL-C835JBEZ	AC			Seal[AEA9FHR]
1-24	PSEL-C870JBEZ	AD			Seal
1-25	PSEL-C871JBEZ	AD			Seal
1-27	PSPF-A941JBEZ	AV			Compressor cover[AEA7FHR]
1-27	PSPF-A946JBEZ	AV			Compressor cover[AEA9FHR]
1-28	TLABBA149JBRZ	AG			Sharp badge
1-29	TSPC-F038JBRZ	AK			Name badge[AEA7FHR]
1-29	TSPC-F057JBRZ	AK			Name badge[AEA9FHR]
2-1	LBNDKA062JBW0	AD			Capacitor clamp
2-2	PBOX-A447JBPZ	AR			Control box
2-3	QTANZA027JBZZ	AQ			Terminal board
2-4	QW-IZA082JBZZ	AP			Comp wiring[AEA7FHR]
2-4	QW-IZA089JBZZ	AN			Comp wiring[AEA9FHR]
2-5	QW-VZE889JBZZ	AF			Lead wire
2-6	QW-VZE890JBZZ	AF			Lead wire
2-7	RC-HZA517JBZZ	AX			Running capacitor[AEA7FHR]
2-7	RC-HZA516JBZZ	AZ			Running capacitor[AEA9FHR]
2-8	RC-HZA513JBZZ	AR			Fan motor capacitor
3-1	CVLV-A764JBKZ	BP			Reverse valve ass'y[AEA7FHR]
3-1	CVLV-A767JBKZ	BP			Reverse valve ass'y[AEA9FHR]
3-1-1	CCIL-A122JBEZ	AU			Coil
3-1-2	LX-BZA268JBEZ	AB			Special screw
3-1-3	PVLVXA052JBEZ	BB			Reverse valve
3-2	CCPY-A189JBKZ	BB			Capillary ass'y[AEA7FHR]
3-2	CCPY-A190JBKZ	BB			Capillary ass'y[AEA9FHR]
3-3	DVLV-A530JBKZ	AT			2way valve unit
3-4	DVLV-A529JBKZ	AW			3way valve unit
3-5	GLEG-A123JBEZ	AN			Compressor cushion[AEA7FHR]
3-5	GLEG-A103JBE0	AG			Compressor cushion[AEA9FHR]
3-6	LX-NZA002JBE0	AA			Special nut[AEA7FHR]
3-6	LX-NZA148JBE0	AD			Frang nut[AEA9FHR]
3-7	PCMPRA472JBEZ	CD			Compressor[AEA7FHR]
3-7	PCMPRA473JBEZ	CB			Compressor[AEA9FHR]
3-8	PCOV-A002JBE0	AE			Terminal cover[AEA7FHR]
3-8	PCOV-A371JBE0	AF			Terminal cover[AEA9FHR]
3-9	PSEL-A006JBE0	AC			Terminal gasket[AEA7FHR]
3-9	PSEL-B160JBE0	AH			Terminal gasket[AEA9FHR]
3-10	PSEL-B161JBE0	AH			Gasket washer[AEA9FHR]
3-11	RHOG-A236JBZZ	AZ			Overload relay[AEA7FHR]
3-11	RHOG-A237JBZZ	AV			Overload relay[AEA9FHR]
3-12	MSPR-A005JBE0	AB			Protector spring[AEA7FHR]
3-12	MSPR-A114JBE0	AF			Protector spring[AEA9FHR]
3-13	DCON-A284JBPZ	BU			Condenser[AEA7FHR]
3-13	DCON-A288JBPZ	CA			Condenser[AEA9FHR]
3-14	PSEN-A044JBKZ	AG			Flare nut ass'y
3-15	PSEN-A045JBKZ	AK			Flare nut ass'y
4-1	LX-BZA351JBEZ	AD			Special screw
4-2	LX-BZA355JBEZ	AE			Special screw
4-3	LX-NZA313JBEZ	AE			Special nut
4-4	LX-BZA075JBE0	AA			Special screw
4-5	LX-BZA353JBEZ	AD			Tapping screw
4-6	LX-BZA364JBEZ	AC			Special screw
4-7	LX-NZA326JBEZ	AA			Special nut

[6] PARTPACKING PARTS(OUTDOOR UNIT)



NO.	PARTS CODE	PRICE RANK	NEW MARK	PART RANK	DESCRIPTION
[6] PARTPACKING PARTS(OUTDOOR UNIT)					
5-1	CPADBA774YDKZ	AN			Bottom pad ass'y
5-2	SPAKCB826JBEZ	AX			Packing case[AEA7FHR]
5-2	SPAKCB848JBEZ	AX			Packing case[AEA9FHR]
5-3	CPADBA093JBKZ	AR			Top pad ass'y

PARTS CODE	No.	PRICE RANK	NEW MARK	PART RANK
[C]				
CCHS-A919JBYA	5-1-4	BK		
CCIL-A122JBEZ	5-3-1-1	AU		
CCOV-A130JBKZ	5-1-3	AM		
CCPY-A189JBKZ	5-3-2	BB		
CCPY-A190JBKZ	5-3-2	BB		
CEVA-A115JBKZ	1-3-2	BU		
CFTA-A337JBKZ	5-1-7	BC		
CHLD-A067JBK0	1-2-1	AL		
CHOS-A018JBKZ	1-2-20-1	AN		
CKITTA071AKKZ	1-2-20-8	BD		
CMOT-A443JBKZ	1-2-3	BE		
CMOTLB181JBEZ	5-1-8	BH		
CPADBA086JBKZ	3-90-1	AM		
CPADBA093JBKZ	6-5-3	AR		
CPADBA774YDKZ	6-5-1	AN		
CPIPCA918JBKZ	1-3-1	AZ		
CPNL-A515JBKZ	1-2-21	BC		
CRMC-A665JBEZ	2-4-1	AZ		
CSRA-A624JBKZ	1-2-20	BX		
CVLV-A764JBKZ	5-3-1	BP		
CVLV-A767JBKZ	5-3-1	BP		
[D]				
DCHS-A530JBKZ	1-2-10	BG		
DCON-A284JBPZ	5-3-13	BU		
DCON-A288JBPZ	5-3-13	CA		
DPWBFA396JBKZ	1-1-1	BM		
DPWBFA411JBKZ	1-1-1	BM		
DSRA-A265JBKZ	1-2-20-4	BL		
DVLV-A529JBKZ	5-3-4	AW		
DVLV-A530JBKZ	5-3-3	AT		
DWAK-A915JBKZ	1-2-22	BB		
[F]				
FCOV-A193JBFA	1-2-22-5	AF		
FCOV-A194JBFA	1-2-22-4	AK		
FCOV-A195JBFA	1-2-22-6	AK		
FPWBFA586JBKZ	1-1-10	AZ		
[G]				
GCAB-A210JBTA	5-1-1	AS		
GCAB-A282JBTA	5-1-12	BC		
GGADPA004JBFA	5-1-13	AR		
GLEG-A103JBE0	5-3-5	AG		
GLEG-A123JBEZ	5-3-5	AN		
GWAK-A317JBFA	1-2-22-1	AZ		
[H]				
HBDG-A002KKEA	1-2-21-1	AE		
HDECQA125JBRB	1-2-22-3	AZ		
HPNL-A721JBRA	1-2-21-2	AU		
[J]				
JHNDPA011JBFA	5-1-14	AS		
[L]				
LANGKA124JBPZ	5-1-5	AR		
LBNDKA062JBW0	5-2-1	AD		
LHLD-A197JBFM	1-2-20-14	AC		
LHLD-A303JBFA	1-2-12	AD		
LHLD-A478JBFZ	1-2-11	AF		
LHLD-A484JBFA	2-4-10	AE		
LHLD-A500JBFZ	1-2-8	AC		
LHLD-A573JBFA	5-1-15	AC		
LHLD-A716JBFA	1-2-14	AF		
LHLD-A719JBFA	1-2-20-9	AF		
LHLD-A720JBFA	1-2-20-7	AK		
LHLD-A721JBFA	2-4-3	AK		
LHLD-A756JBFA	1-2-18	AF		
LPFT-A151JBFZ	1-2-20-11	AF		
LPFT-A152JBFZ	1-2-20-5	AF		
LPLT-A058JBPZ	1-2-20-1B	AC		
LPLTPA026JBFA	5-1-16	AC		
LX-BZA075JBE0	5-4-4	AA		
LX-BZA268JBEZ	5-3-1-2	AB		
LX-BZA351JBEZ	5-4-1	AD		
LX-BZA353JBEZ	5-4-5	AD		
LX-BZA355JBEZ	5-4-2	AE		
LX-BZA364JBEZ	5-4-6	AC		
LX-NZA002JBE0	5-3-6	AA		
LX-NZA148JBE0	5-3-6	AD		
LX-NZA207JBEZ	2-4-5	AE		
LX-NZA313JBEZ	5-4-3	AE		
LX-NZA326JBEZ	5-4-7	AA		

PARTS CODE	No.	PRICE RANK	NEW MARK	PART RANK
[M]				
MJNTPA082JBFA	1-2-20-3	AC		
MLOV-A299JBFA	1-2-20-2	AC		
MLOV-A396JBFA	1-2-20-12	AX		
MSPR-A005JBE0	5-3-12	AB		
MSPR-A114JBE0	5-3-12	AF		
[N]				
NBRG-A026JBFA	1-2-20-13	AB		
NFANCA099JBEZ	1-2-2	BC		
NFANPA101JBEZ	5-1-17	AR		
[P]				
PBOX-A442JBFA	1-2-9	BH		
PBOX-A447JBPZ	5-2-2	AR		
PCMPRA472JBEZ	5-3-7	CD		
PCMPRA473JBEZ	5-3-7	CB		
PCOV-A002JBE0	5-3-8	AE		
PCOV-A300JBF0	1-2-24	AB		
PCOV-A371JBE0	5-3-8	AF		
PCOV-B072JBFZ	1-2-4	AN		
PCOV-B073JBFA	1-2-6	AN		
PCOV-B074JBPZ	1-2-7	AM		
PCOV-B075JBPZ	1-2-17	AR		
PCOV-B076JBFZ	1-2-15	AF		
PCOV-B077JBFA	1-2-22-2	AK		
PCOV-B144JBPZ	1-2-19	AK		
PFILMA204JBEZ	1-2-16	AM		
PGUMMA110JBE0	1-2-20-6	AD		
PHOS-A044JBEZ	1-2-20-1A	AM		
PPLT-A385JBTA	5-1-18	AU		
PPLT-A392JBTA	5-1-19	AV		
PPLT-A421JBTZ	5-1-19	AX		
PPLTNA081JBPZ	1-2-13	AX		
PSEL-A006JBE0	5-3-9	AC		
PSEL-B160JBE0	5-3-9	AH		
PSEL-B161JBE0	5-3-10	AH		
PSEL-C834JBEZ	5-1-9	AK		
PSEL-C835JBEZ	5-1-23	AC		
PSEL-C837JBEZ	5-1-20	AE		
PSEL-C838JBEZ	5-1-21	AC		
PSEL-C839JBEZ	5-1-22	AC		
PSEL-C850JBEZ	5-1-20	AF		
PSEL-C867JBEZ	5-1-23	AF		
PSEL-C870JBEZ	5-1-24	AD		
PSEL-C871JBEZ	5-1-25	AD		
PSEL-C895JBEZ	5-1-10	AF		
PSEN-A044JBKZ	5-3-14	AG		
PSEN-A045JBKZ	5-3-15	AK		
PSCR-A288JBPZ	5-1-11	AX		
PSPF-A941JBEZ	5-1-27	AV		
PSPF-A946JBEZ	5-1-27	AV		
PVLV-0341JBE0	1-3-3	AG		
PVLV-0342JBE0	1-3-4	AH		
PVLVXA052JBEZ	5-3-1-3	BB		
[Q]				
QACC-A305JBZZ	1-1-5	AN		
QFS-IA001KKZZ	4-1-2	AD		
QTANZA022JBZZ	1-1-9	AH		
QTANZA027JBZZ	1-1-6	AQ		
"	5-2-3	AQ		
QW-IZA082JBZZ	5-2-4	AP		
QW-IZA089JBZZ	5-2-4	AN		
QW-VZE874JBZZ	1-1-7	AF		
QW-VZE889JBZZ	5-2-5	AF		
QW-VZE890JBZZ	5-2-6	AF		
[R]				
RC-HZA513JBZZ	5-2-8	AR		
RC-HZA516JBZZ	5-2-7	AZ		
RC-HZA517JBZZ	5-2-7	AX		
RH-IXA829JBZZ	4-1-3	AV		
RHOG-A236JBZZ	5-3-11	AZ		
RHOG-A237JBZZ	5-3-11	AV		
RMOT-A115JBEZ	1-2-20-10	AS		
RRMUA003JBZZ	4-1-4	AM		
RTHM-A300JBE0	1-1-8	AN		
[S]				
SPAKCB822JBEZ	3-90-2	AK		
SPAKCB826JBEZ	6-5-2	AX		
SPAKCB832JBEZ	3-90-2	AT		
SPAKCB848JBEZ	6-5-2	AX		

PARTS CODE	No.	PRICE RANK	NEW MARK	PART RANK
[T]				
TINS-A876JBRZ	2-4-9	AK		
TINSE4406JBRZ	2-4-8	AX		
TLABBA149JBRZ	5-1-28	AG		
TLAB-C800JBEZ	2-4-6	AK		
TLAB-C801JBEZ	2-4-6	AK		
TLABCC053JBRZ	1-2-23	AF		
TLABCC055JBRZ	5-1-2	AF		
TLABCC074JBRZ	5-1-2	AF		
TSPC-F038JBRZ	5-1-29	AK		
TSPC-F057JBRZ	5-1-29	AK		
[U]				
UBATUA027JBE0	2-4-2	AE		